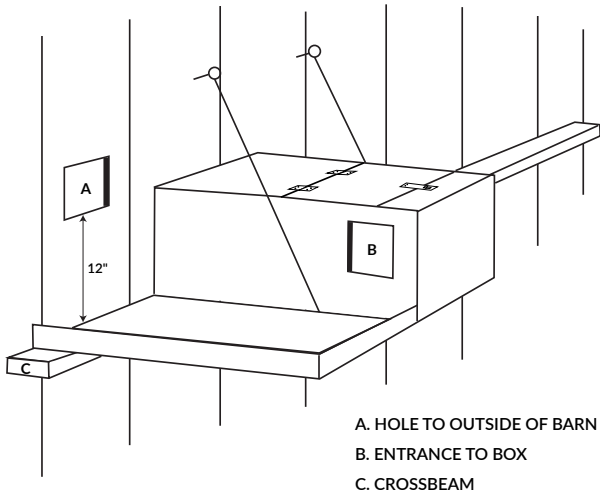
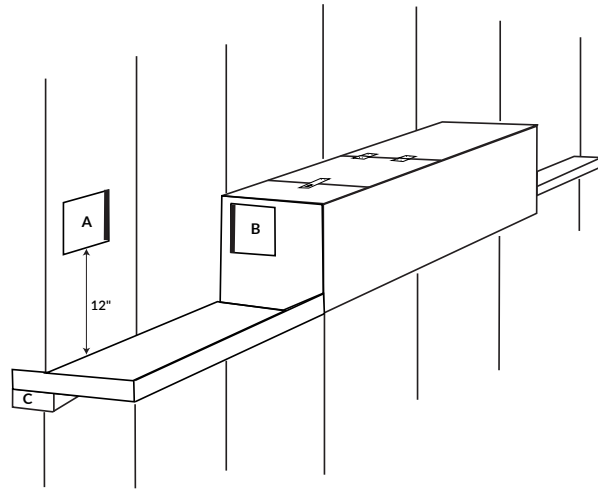


# Barn Owl Nest Box Plans

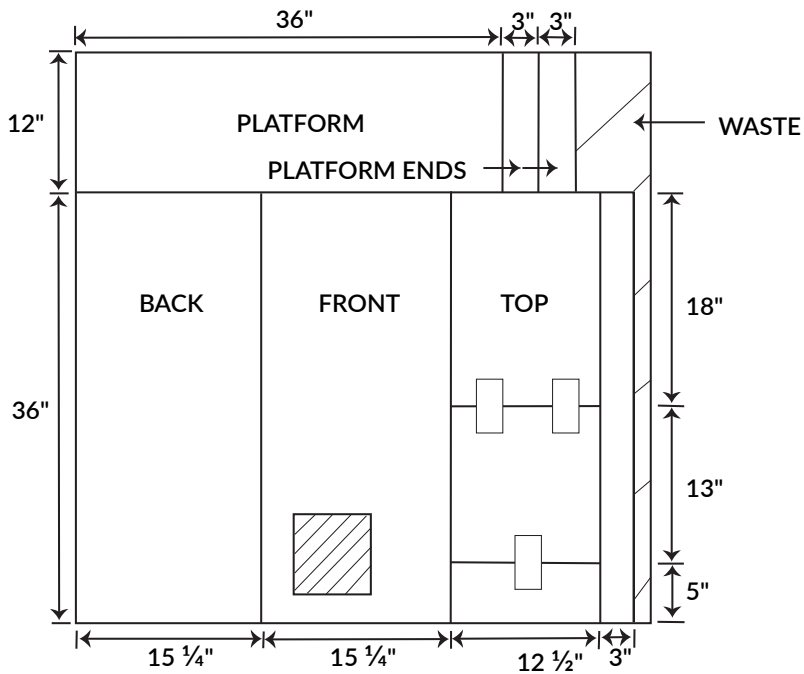


A. HOLE TO OUTSIDE OF BARN  
B. ENTRANCE TO BOX  
C. CROSSBEAM

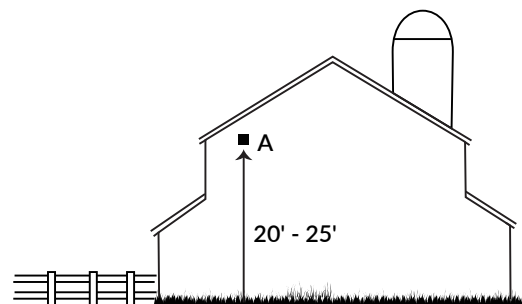
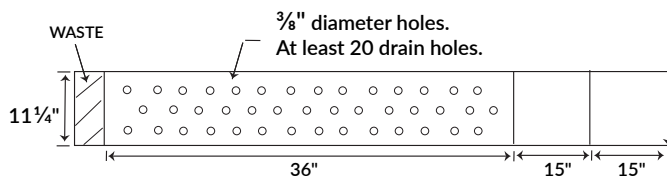
PLAN 1



PLAN 2



©American Eagle Foundation. Photo: Gina Flanigen



## SUPPLIES NEEDED

- 4' x 4' x 5/8" COX Exterior Plywood
- 1" x 12" x 6' Pine Board (SPF)
- Electric Screw Driver
- Two 2" eye-bolts, Plan #1
- 1 1/2" Long Galvanized Drywall Screws (1 lb)
- Two Hinges
- One Hasp

## INSTRUCTIONS

- Cut out top, side, end, & bottom pieces of nest box. Cut entrance hole at appropriate location for plan being used.
- Assemble nest box with 1 1/2" screws, hinges, and hasp.
- Provide support for box in Plan #1 by attaching the #12 wire from the lower outside corners to the wall with eye bolts.
- Cut out appropriate sized platform and associated railings. Attach railings to platform. It may be easier to attach assembled platform after box is mounted at location.
- For plan #2: Platform length can be extended along beam as far as possible. The longer the better.
- Both plans require cutting a hole in barn wall for owl access. Locate 12" above platform.
- If site location is likely to be disturbed by cats and raccoons, align box hole with barn wall hole and place platform on outside of barn and under the entrance hole.
- Although any barn can be used, the best building in which to install a Barn Owl nest box is an abandoned or seldom used barn on a farmstead.
- Select the "Clean Face" or end of a barn having few or no openings.
- Choose a crossbeam on which to mount the box.
- Mount the box by screwing it to the beam.
- Provide additional support as necessary by bracing the box with 2" x 4" lumber or by attaching wire cable, 1/2" nylon or marine rope from the lower outside corners to the wall.



©American Eagle Foundation. Photo: Gina Flanigen

## APPEARANCE

- The barn owl is a medium sized owl that does best in rough grassland where prey is readily available. With its heart-shaped face and beautiful coloration, it is one of the easiest owls to identify.

## BENEFITS BARN OWLS PROVIDE

- Barn owls are extremely valuable in pest control.
- About 95% of their diet consists of mice, voles, and shrews. Barn owls will patrol an area of up to 100 acres in a single night. In one season, a barn owl family can consume 4,000 rodents.
- A barn owl can be enticed to establish a home base where a nesting box has been constructed, thereby providing a perfect solution for pest control! Unlike most birds, owls may use their nest sites for roosting throughout the year. Nest sites are often reused from year to year.

## DANGERS TO BARN OWLS

- In some areas, the Barn Owl population is being depleted because of the use of toxic chemicals in agriculture.
- Another prime culprit is poison bait set out to kill rodents. Animals that have ingested rodenticides often die slowly, get disoriented, and make for easy prey, thus passing the poison up the food chain to owls.

Plans created by the Pennsylvania Game Commission  
<https://www.pgc.pa.gov/InformationResources/Documents/plan12.pdf>